

SEGA Series

SE160 / SE130 / SE100 / SE080

Product Description

- Unrivaled Efficacy 130 lm/W
- Long life cycle with vertical thermal fin structure
- Wired and wireless dimming control associated with light control system (*Optional)

Application

- Factories
- Warehouses
- Superstores
- Sports Arenas
- Airports
- Gyms

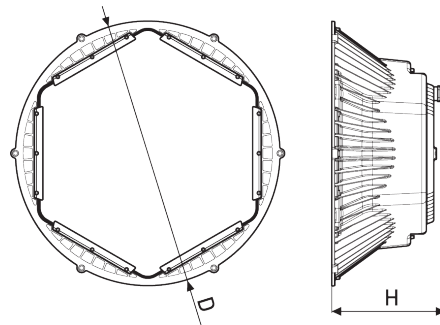
Certification

- UL / FCC / DLC
- CE
- PSE
- KC / EE
- CCC
- TIS

SEGA Series (160W / 130W)



Dimension

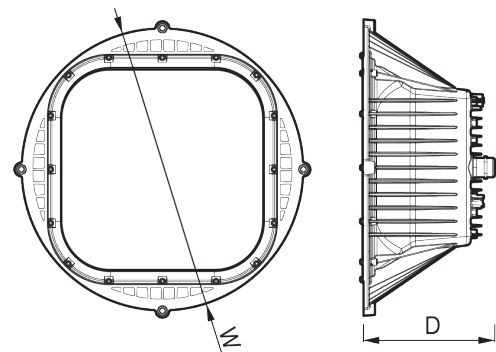


| | |
|--------------|---------------------|
| Size (D x H) | Ø16.5 x 7.1 (inch) |
| | Ø420.0 x 180.0 (mm) |

SEGA Series (100W / 80W)



Dimension



| | |
|--------------|---------------------|
| Size (D x H) | Ø12.4 x 5.8 (inch) |
| | Ø315.0 x 147.0 (mm) |

LED Bay Lighting

SEGA Series

SE160 / SE130 / SE100 / SE080

SEGA Series Specifications

| Model Name | SE160 | SE130 | SE100 | SE080 |
|--------------------------|--|---|--|--------------------|
| Power Consumption | 160W | 130W | 100W | 80W |
| Light Source | 0.2W Mid Power LED Chips | | | |
| CCT | 5000K (6500K / 5700K / 4000K available) | | | |
| Luminous Flux * | 20,800 lm | 16,900 lm | 13,000 lm | 10,400 lm |
| Luminous Efficacy * | 130 lm/W | | | |
| Color Rendering Index | 80 Ra | | | |
| LED Driving Current | 76.2 mA | 72.2 mA | 71.4 mA | 66.7 mA |
| Light Distribution | 90° / 130° | | 80° / 110° | 80° / 100° |
| LED Chip Manufacturer | SAMSUNG | | | |
| Input Voltage | 100 ~ 277 Vac / 347 ~ 480 Vac | | | 100 ~ 277 Vac |
| Input Current | Max. 2.0A(@100Vac) | Max. 1.6A(@100Vac) | Max. 1.25A(@100Vac) | Max. 1.0A(@100Vac) |
| | Max. 0.65A(@347Vac) | Max. 0.5A(@347Vac) | Max. 0.4A(@347Vac) | |
| Power Factor | ≥0.9 at Max load | | | |
| Frequency | 50 / 60 Hz | | | |
| Surge Protection | Line – Line 2kV / Line – FG 4kV | | | |
| Driver Type | Constant Current (CC) | | | |
| Fixture Manufacturer | KMW INC. / Made in Korea | | | |
| Size (D x H) | Ø16.5 x 7.1 (inch) / Ø420.0 x 180.0 (mm) | | Ø12.4 x 5.8 (inch) / Ø315.0 x 147.0 (mm) | |
| Weight (Driver included) | 13.2 lb / 6.0 Kg | | 9.7 lb / 4.4 Kg | |
| Material | Body | Cast Aluminum | | |
| | Optic | Silver Coating Reflector | | |
| | Cover | Polycarbonate / Tempered Glass 3.2T (Clear / Frosted) | | |
| Finish | Powder Coating | | | |
| IP Rating | IP65 | | | |
| Operating Temperature | -22°F ~ 140°F / -30°C ~ 60°C | | | |
| Option | Control Option | Wireless(ZigBee) / Wired(1-10V) / Sensor(Daylight) | | |
| | Mounting Option | Ceiling Bracket (Pipe / Chain) | | |
| Warranty | 10 Years (12 hours usage per day) | | | |

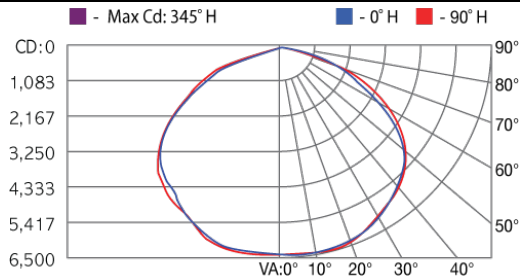
* Tolerance : ± 5%

LED Bay Lighting SEGA Series

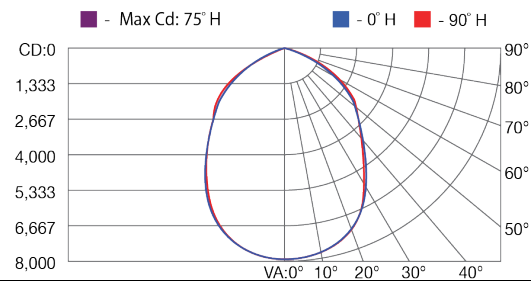
SE160 / SE130 / SE100 / SE080

NANA Series Photometry Data

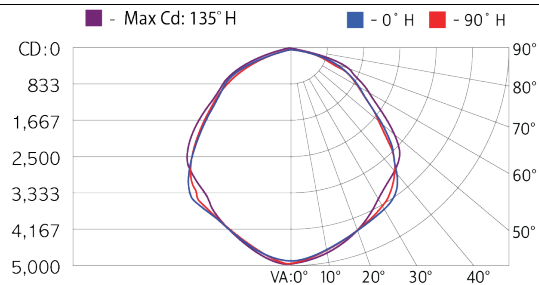
SE160 / 5000K / 130°



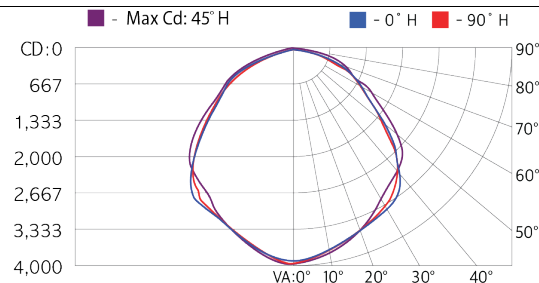
SE130 / 5000K / 90°



SE100 / 5000K / 110°



SE080 / 5000K / 100°



LED Bay Lighting

SEGA Series

SE160 / SE130 / SE100 / SE080

Control System (Optional)

| ZigBee | Wireless Control |
|-------------------------------|---|
| Input Voltage | 15 Vdc |
| Max. Power Consumption | 0.3W (@15 Vdc) |
| Standard | 2.4 GHz – IEEE 802.15.4 (Compatible) |
| Network | MESH |
| RF Tx Power | Max. +8 dBm (Typ. 5 dBm) |
| Data Rate | 250 kbps |
| Security | 128 bit AES Encryption Algorithms |
| Dimmer | PWM, 0 ~ 10 Vdc |
| Antenna | Omni Type, 2 dBi |
| 1-10V | Wired Control |
| Factory Installed | The maximum quantity at the time of group control is according to dimmer switch and actuator supply wattage |
| Daylight Sensor | Smart Sensor Module |
| Operating Voltage Range | 5 – 50 Vdc (Typ. 15 Vdc) |
| Max. Power Consumption | 0.6W (@15 Vdc) |
| Detectable Illumination Range | 9.2 – 92 fc (Default : 64 fc) / 100 – 1,000 lx (Default : 700 lx) |
| LED Light Bi-level Setting | 10% (Default) |
| Output Signal | PWM |

| Ordering Information | | | Ordering Code Usage : SE160-B50130CNZ | | | | |
|----------------------|---|---|---|--|--|---------------------------------------|--|
| SE | ○○○ | - | ○ | ○○ | ○○○ | ○○ | ○ |
| | Power Consumption | | Input Voltage | CCT (K) | Beam Angle | Installation Type | Control System |
| | 160 = 160W 130 = 130W 100 = 100W 080 = 80W | | A = 100~277V B = 100~240V C = 347~480V | 57 = 5700K 50 = 5000K 40 = 4000K 30 = 3000K | 130 = 130° 090 = 90° (160/130W) 110 = 130° 080 = 80° (100W only) 100 = 100° 080 = 80° (80W only) | CN = Chain PE = Pipe | Z = ZigBee W = Wired N = None |